

*Change new drawing frame in Blue Color since 2009/07/01 , to comply with Company CIS Policy.

Revisions

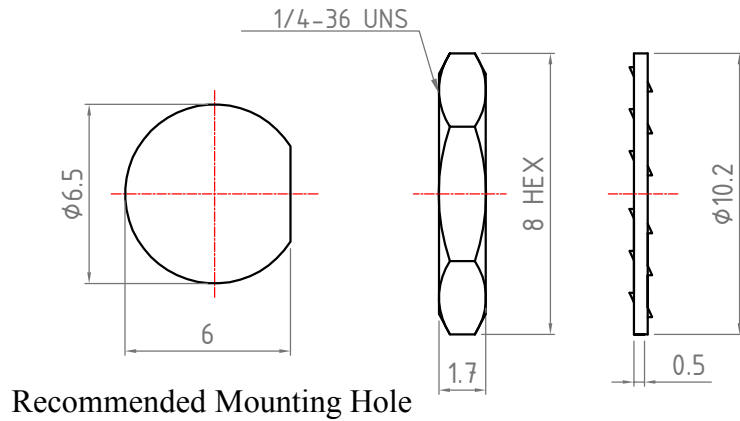
Note: Revisions B; B-1; B-2..... On Behalf of Official Drawing.
Revisions 1; 2; 3; 4..... On Behalf of Experiment's Drawing.

ISS	Symbol	Description	Date
B		CHE for New Drawing Frame & New PN System	2006/07/10
B-1		CHE for Item 6 Material; from Brass to Steel	2015/04/27

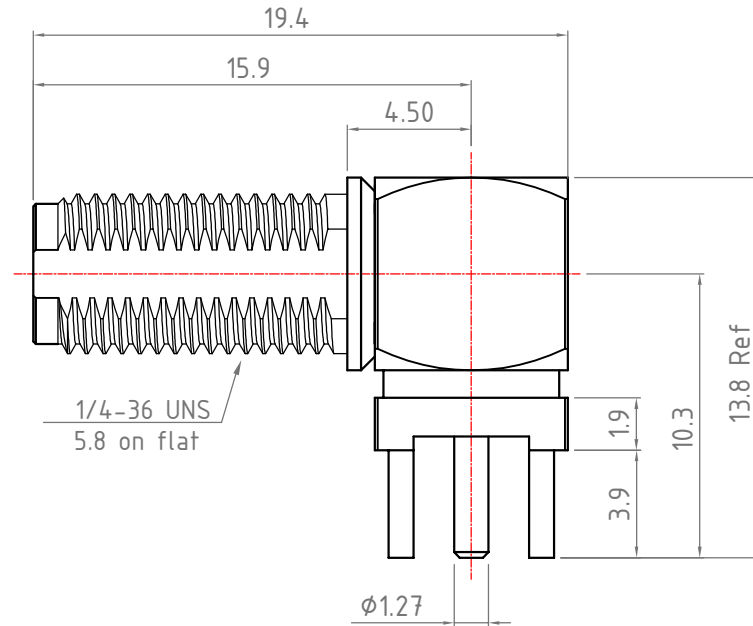
Outline Drawing

Notes :

- Any Electrical, Mechanical or Environmental Test Per MIL-C-39012 Should be Spotlighted, as We May Not Have All Testing Equipment to Cover All of It.
- All Metal Materials Are in Compliance with RoHS 2 Directive 2011/65/EU Annex III Section 6 Paragraph.

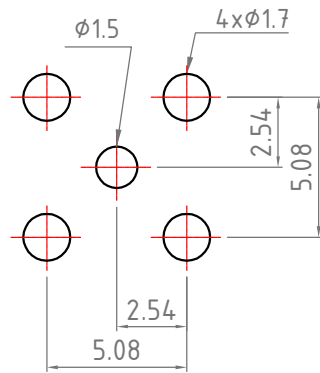


Recommended Mounting Hole



Electrical :

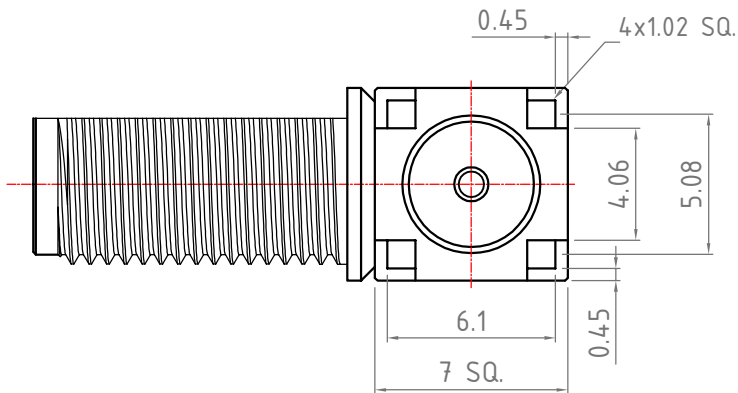
- Impedance : 50 ohm
- Frequency Range : 0~12.4 GHz .
- Voltage Rating : ≥ 500 V rms.(depending on cable)
- Insulator Resistance : ≥ 5 G Ω
- Dielectric Withstanding Voltage : 1000 V rms .
- Contact Resistance : Center Contact ≤ 3 m Ω .
Outer Contact ≤ 2.5 m Ω .
- VSWR : $\leq 1.2 + .03f$ (GHz)



Recommended PCB Layout

Mechanical :

- Mating : 1/4-36 UNS Screw-on Coupling.
- Recommended Mating Torque : 7.1~9.7 lbs
- Coupling Nut Retention Force : ≥ 60.7 lbs



Environmental :

- Temperature Range : -65°C to 165°C
- Corrosion(Salt Spray) : MIL-STD-202, Method 101, Cond. B
- Thermal Shock : MIL-STD-202, Method 107, Cond. B
- Mechanical : MIL-STD-202, Method 213, Cond. I
- Vibration : MIL-STD-202, Method 204, Cond. D

- Finish :** [Unit of Plating Thickness Is in Micro Inch(μ)]
- Nickel Plating Thickness : 70 μ " min.
 - Gold Plating Thickness : 2 μ " max.

*RoHS and REACH are fully complied to create a greener planet for future generations.

ITEM	Description	Material	Finish	Part Number	QTY
5	Nut	Brass	Finish 1		
4	Washer	Steel	Finish 1		
3	Inner Contact	P. Bronze	Finish 1/2		
2	Insulator	PTFE	None		
1	Body	Brass	Finish 1		

Scale	Abbr.	Date	Rev.
NTS	ST	2015/01/22	B-1
Tolerances :		Proprietary Note	
.X ± 0.2		This document contains information proprietary to S-Conn, which is either copyrighted, or patent applied for, and / or protected by trade secret laws.	
.XX ± 0.1		This document or parts thereof, may not be used, disclosed or reproduced in any form by any method, or for any purpose, without the written permission of S-Conn, Taiwan	
.XXX ± 0.05			
Angular :			
.X $\pm 1^\circ$			
Drawn	Checked	Approved	
Louis	Mark	H. Sun	
2015/01/22	2015/01/22	2015/01/22	



DWG.NO.	Customer P/N:	TITLE
S209F4G02-1		SMA R/A Bulkhead Jack, PCB Mount Type
S-Conn Enterprise Co., Ltd.		

